

EF-BM-5000 • Elongated

BIDET TOILET SEAT

TECHNICAL INFORMATION

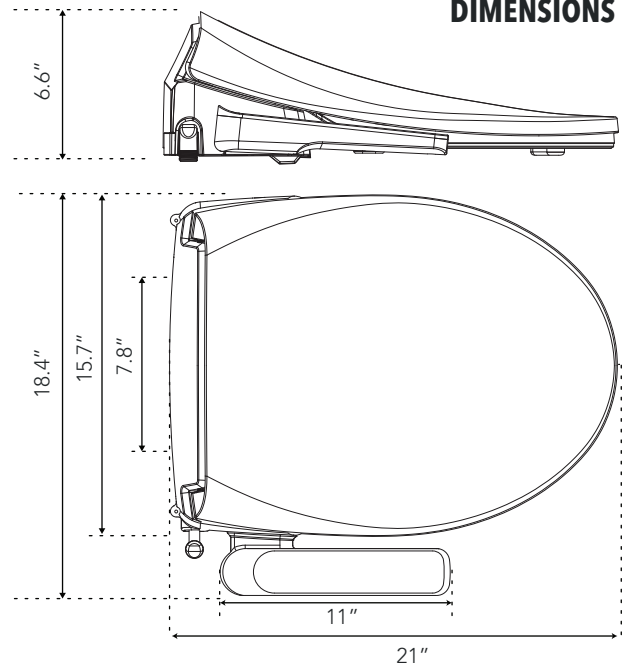
Model		EF-BM-5000 <small>MFG Model: DB-5500</small>
Electrical ratings		AC 120V / 60Hz / 1260W
Water pressure		10 - 106 psi
Wash	REAR	Max 20.28 fl. oz/min
	FRONT	Max 18.59 fl. oz/min
	Water tank volume	6.93 fl. oz
	Water temperature	Low 91.4°F, Medium 96.8°F, High 102.2°F
Dry	Air temperature	Room temperature to 131°F
	Heater capacity	150W
Heated seat	Seat temperature	Low 91.4°F, Medium 96.8°F, High 102.2°F
	Safety device	Thermal fuse
Product dimensions		20.6"(L) x 18.4"(W) x 7"(H)
Product weight		8.81 lbs
Control Type		Side Panel

FEATURES AND BENEFITS

- Rear, Front, and Child modes provide gentle, aerated continuous warm water for consistent cleaning.
- For maximum comfort and efficiency, the following functions are all adjustable: water/seat/air dryer temperature and water pressure.
- The night light allows you to use your bidet in the dark.
- The soft closing function of the lid and seat prevents damages and loud noises.
- Automatic spray wand and nozzle cleaning ensures a clean and hygienic bidet experience.
- The hybrid heating system provides plenty of water for comfortable and effective cleaning.

...and much more!

DIMENSIONS



REAR
 FRONT
 CHILD
 < NOZZLE POSITION >
 ECO
 NIGHT LIGHT
 WATER PRESSURE
 WATER TEMP.
 SEAT TEMP.
 DRY TEMP.
 DRY

